

ST-201 panel rotator



PCB
Automation
Developed
by Symtek

SUITABLE FOR

Rotating rigid boards
between processes.

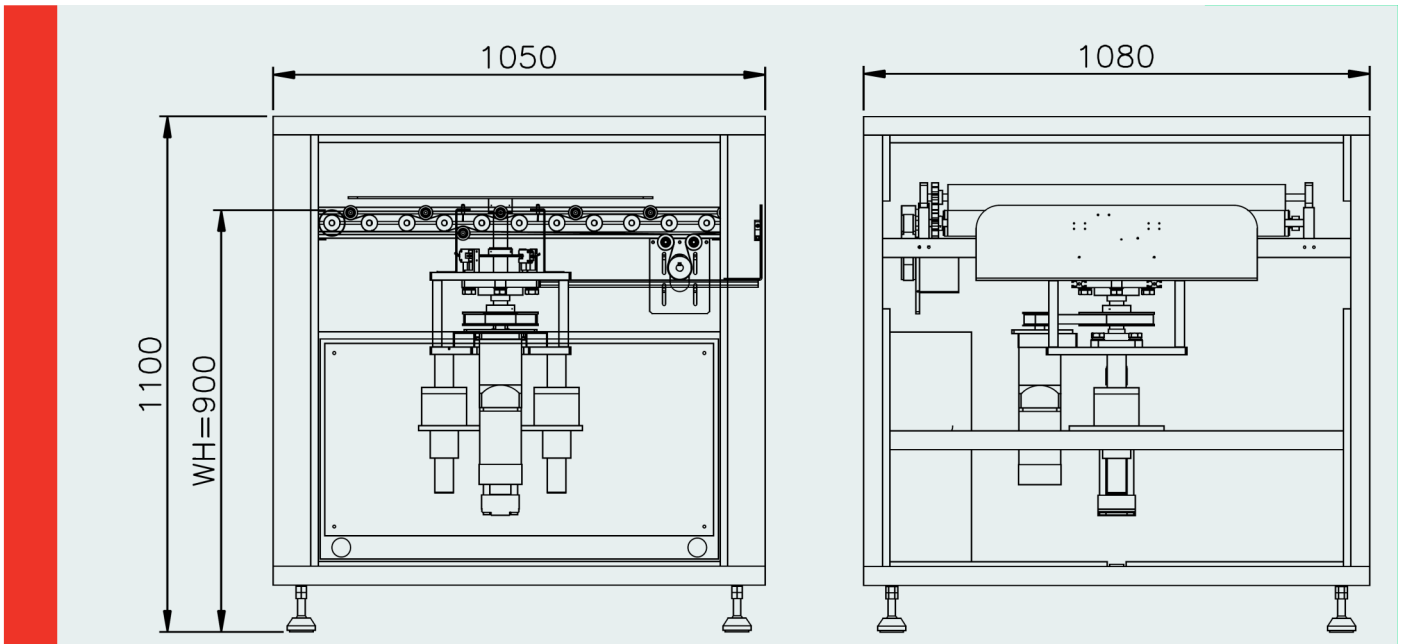
DESCRIPTION

- 1 You can select the rotation angle (either clockwise or counterclockwise, 90 or 180°) with a switch.
- 2 The conveyor speed has to be set in order to have enough gap between the panels for the rotation to happen successfully.
- 3 The panels are mechanically lifted and turned. The movements are smooth and precise.
- 4 The aluminium rotation plate holds the whole panel in order to avoid warping and accidental damage to the panel.

SAA
Symtek Automation Asia



Rotation plate detail



TYPE	ST-201
DIMENSIONS (LxWXH)	1050x1080x1100 mm
WORKING HEIGHT	900 mm ± 50 mm
MAX. PANEL SIZE	24 x 24 in.
MIN.PANEL SIZE	12 x 12 in.
PANEL THICKNESS	0.8 ~ 1.6 mm.
THROUGHPUT	6 Pcs/min.
POWER	1 Ph 220V 60 Hz 0.3 KW
AIR	0.6 MPa 5 NL/min