

ST-103

4-way Panel Diverter



PCB
Automation
Developed
by Symtek

SUITABLE FOR

Diverting rigid boards
between different processes.

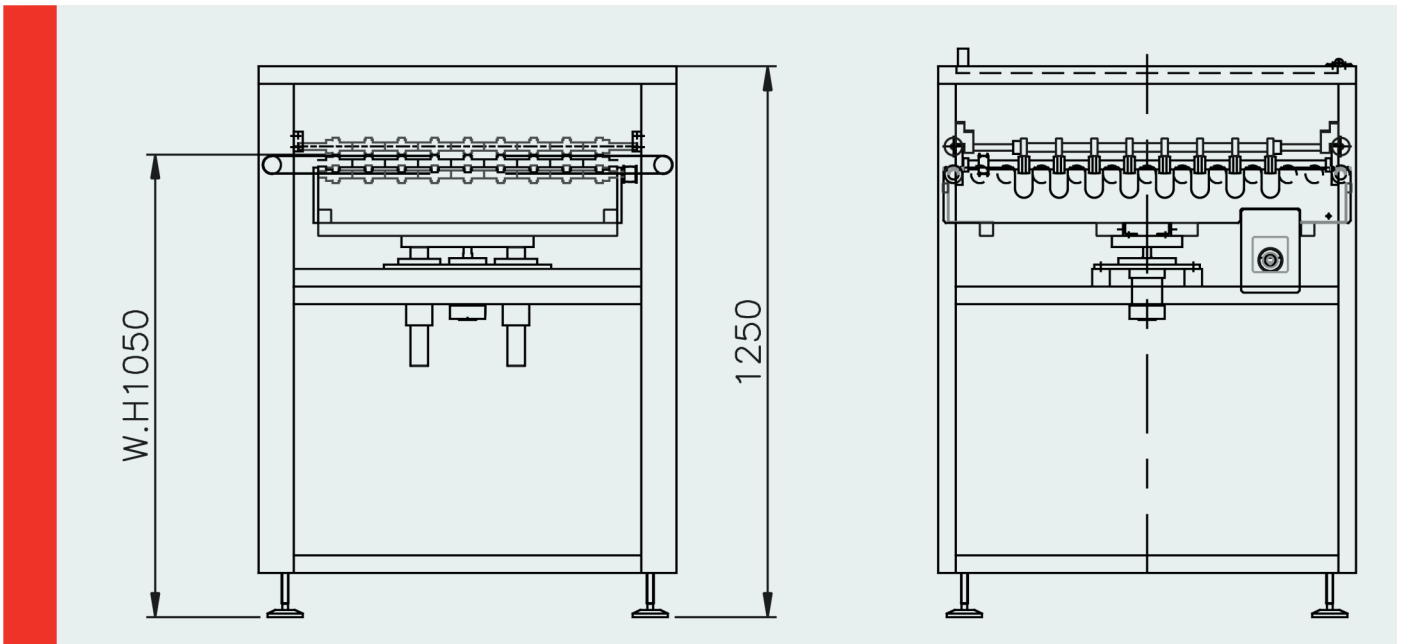
DESCRIPTION

- 1 The positioning is handled by a high accuracy encoder.
- 2 The conveyor speed has to be set in order to have enough gap between the panels to avoid any collision.
- 3 A special sensor detects any double panel loading failure.
- 4 The operator can divert the panels left or right, or let them pass through.
- 5 The initial feed direction, as well as the working height, has to be specified before installation.

SAA
Symtek Automation Asia



Conveyors detail



TYPE	ST-103
DIMENSIONS (LxWXH)	950 x 950 x 1250 mm
WORKING HEIGHT	1050 ± 50 mm
MAX. PANEL SIZE	511 x 622 mm
MIN.PANEL SIZE	
PANEL THICKNESS	0.06 ~ 4 mm
THROUGHPUT	8 pcs/min
POWER	1 Ph 220V 60Hz 0.3KW
AIR	0.6 MPa 5 NL/min