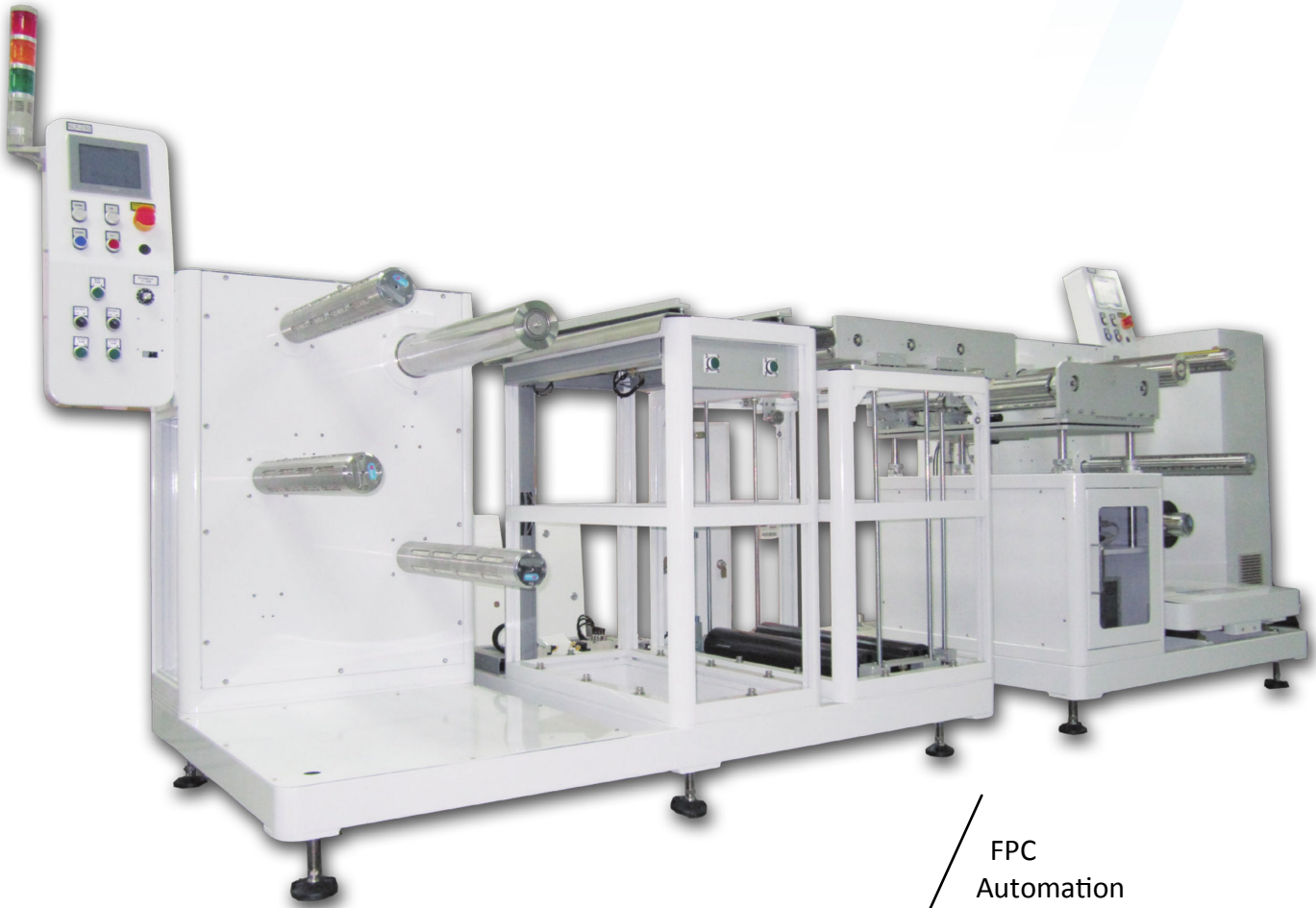


SLF / SUF 230 DES wet process



FPC
Automation
Developed
by Symtek

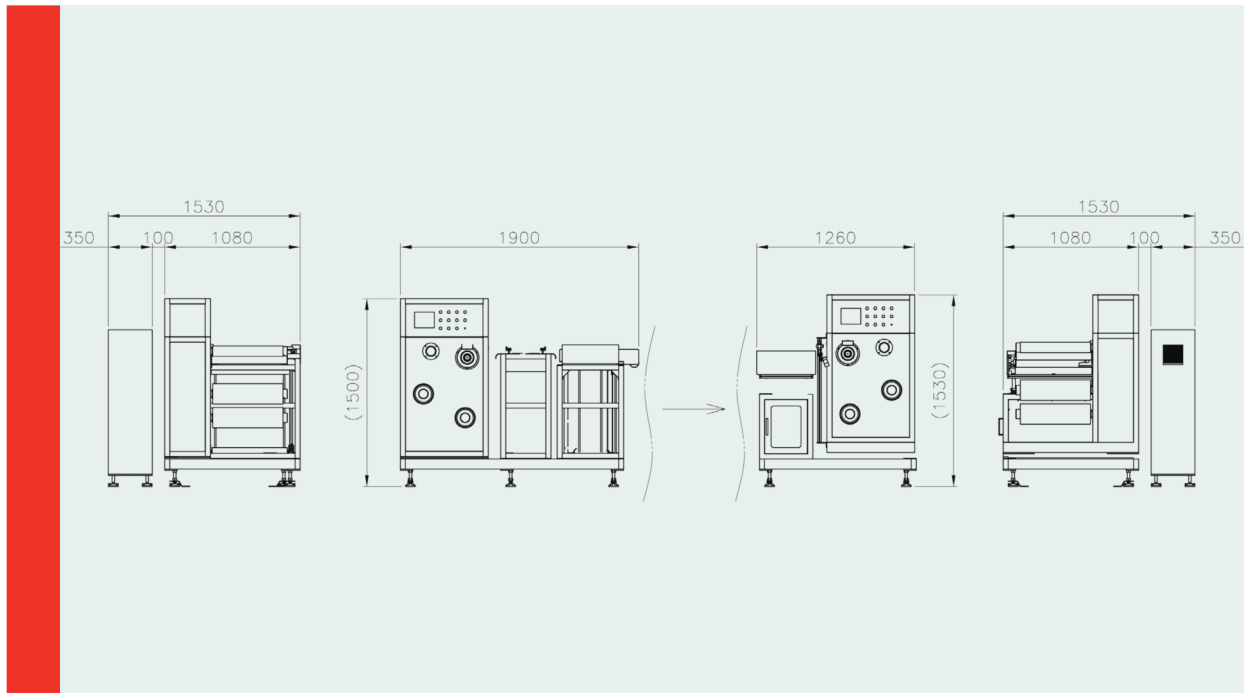
SUITABLE FOR

DES process is suitable for either single 500mm or 250mm wide material, and in continuous roll to roll operation.

DESCRIPTION

- 1 The board elements are reeled into the machine and pulled sequentially through the rollers.
- 2 After the board is processed it is wound onto the receiving rollers of the unloading system.
- 3 The system can automatically detach the protection foil before processing and laminate with a new one afterwards.
- 4 The machine is be equipped with a buffer system to connect foils for continous production.
- 5 The connection of foils needs to be done manually on an integrated connection table.

SAA
Symtek Automation Asia



TYPE	LOADER	UNLOADER
DIMENSIONS (LxWXH)	1900x1530x1500 mm	1500x1530x1500 mm
WORKING HEIGHT	1000 mm ± 50mm	
MAX. PANEL WIDTH	500 mm	
MIN.PANEL WIDTH	250 mm	
PANEL THICKNESS	1/4 ~ 1/2 oz	
TENSION	2~5 KgF mechanical (0.5~8 KgF electrical)	
E.P.C.	±0.5 mm	
THROUGHPUT	1~6 m/min	
LINK TIME	60 s (3 m/min)	
POWER	1PH 220V 50/60Hz 6KW Other power configurations are available on demand.	
AIR	0.6 Mpa 10 NL/min	